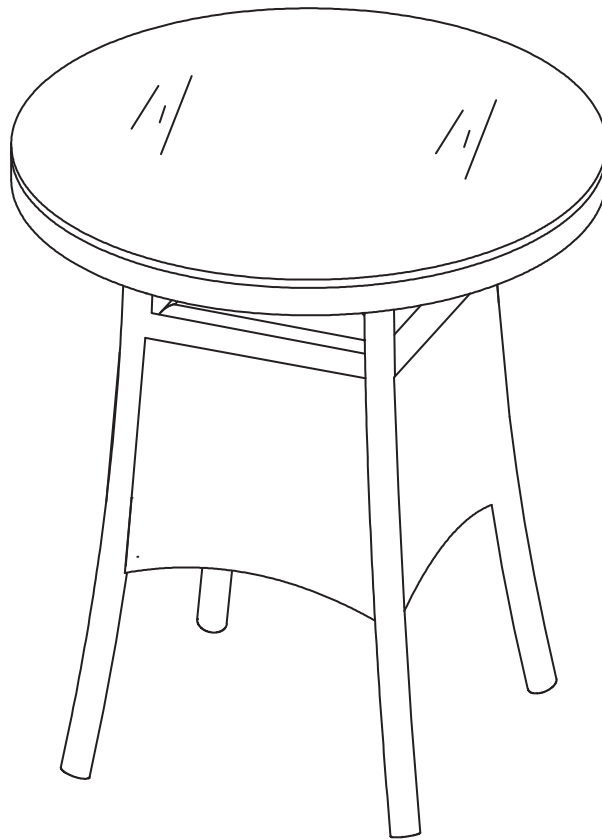




ATHENS 3 PC BISTRO TABLE

Assembly Instructions - Please keep for future reference

BDFURN2026LV19A



Important: Do not fully tighten all screws until assembly is complete.

Blue Diamond Ltd, PO BOX 350, St. Peter Port, Guernsey, GY1 3XA

Website: www.bluediamond.gg

Email: info@bluediamond.gg



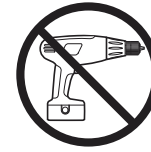


Safety and Care Advice

Important – Please read these instructions fully before starting assembly

- This product is manufactured from toughened safety glass. In the unlikely event that the glass fails it will break into a large number of small fragments that may be spread over a wide area. This is a feature of toughened glass, designed to remove the risk of injury from glass breaking into large shards.
- If the glass is chipped or broken, stop using the product and consult the manufacturer or supplier.
- Check you have all the components and tools listed on page 2.

- Remove all fittings from the plastic bags and separate them into their groups.
- Keep children and animals away from the work area, small parts could choke if swallowed.
- Make sure you have enough space to layout the parts before starting.
- Do not stand or put weight on the parts during assembly, this could cause damage.
- Assemble on a soft level surface to avoid damaging the unit or your floor.



• We do not recommend the use of power drill/drivers for inserting screws, as this could damage the unit, only use hand screwdrivers.

- Dispose of all packing carefully and responsibly.
- Do not sit or stand on this table.
- Do not place very hot or very cold items on the glass.
- **Warning:** The unit weight approximately 17.5kgs.

Please lift with care.

Care and maintenance

- Wash glass with mild soap and water, rinse thoroughly, and dry glass completely.
- We recommend the use of furniture covers when not in use.

- Do not use the glass as chopping surface. Do not strike the glass with hard or pointed items.
- In order to prolong the life and your

table, we recommend it be stored in a dry and protected area during off season periods.

- Do not use washing powders or any abrasive substances which may scratch the surface.



Friendly Tips

- Do not fully tighten all screws until assembly is complete.
- Make sure the assemble will be easier with 2 people.

Blue Diamond Ltd, PO BOX 350, St. Peter Port, Guernsey, GY1 3XA

Website: www.bluediamond.gg

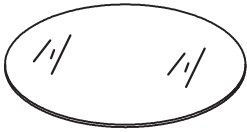
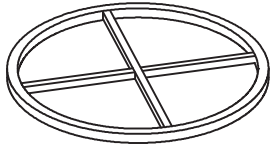
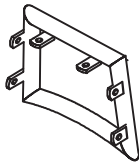
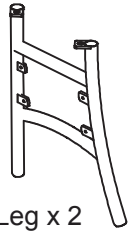
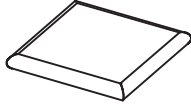


Email: info@bluediamond.gg



Components - Parts & Fittings

Please check you have all the parts & fittings listed below

Note: The quantities below are the correct amount to complete the assembly. In some cases more fittings may be supplied than are required.

<p>A</p>  <p>Glass table top x 1</p>	<p>B</p>  <p>Table Rim x 1</p>
<p>C</p>  <p>Side panel x 2</p>	<p>D</p>  <p>Leg x 2</p>
<p>E</p>  <p>Top panel x 1</p>	<p>F</p>  <p>M6X20 Bolt x 16</p>
<p>G</p>  <p>Washer x 16</p>	

Tools Provided



H Allen key x 1

Blue Diamond Ltd, PO BOX 350, St. Peter Port, Guernsey, GY1 3XA

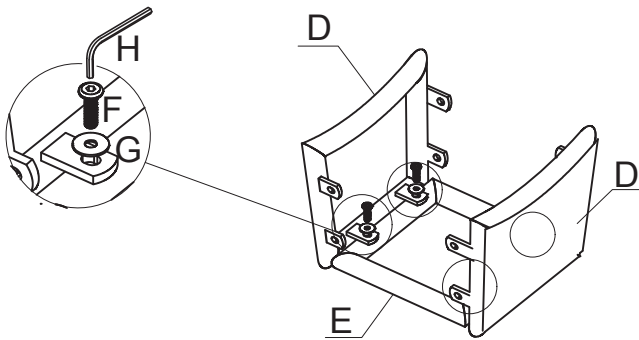
Website: www.bluediamond.gg

Email: info@bluediamond.gg

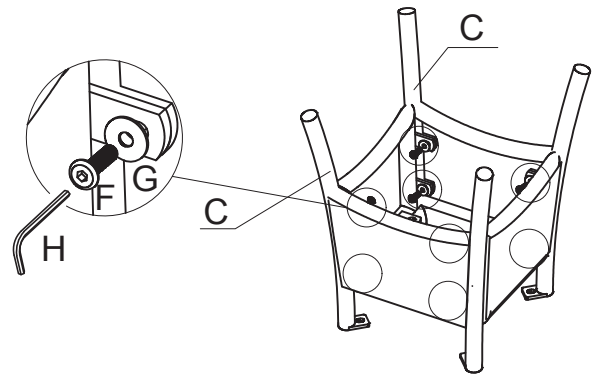


Assembly Instructions

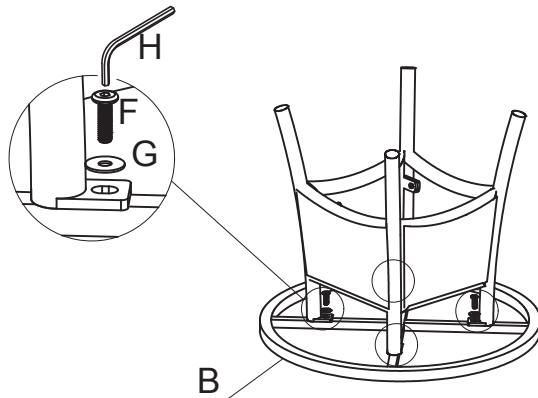
1



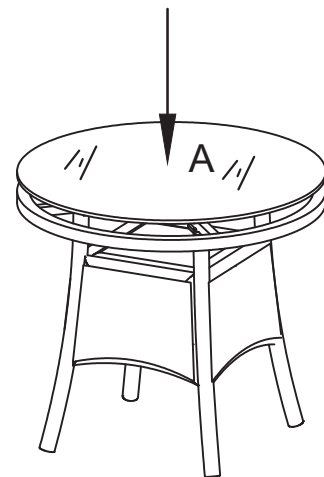
2



3



4



Important: Do not fully tighten all screws until assembly is complete.

Blue Diamond Ltd, PO BOX 350, St. Peter Port, Guernsey, GY1 3XA

Website: www.bluediamond.gg

Email: info@bluediamond.gg



Glass Guidelines

During assembly do not lay the glass directly onto hard or rough surfaces. We recommend laying the glass on a blanket or cardboard during assembly. You could even use the box.

When lifting or moving the product, ask for someone to lend a hand, trying to move a product on your own can lead to accidents.

Do not use furniture if any parts are missing or broken. Contact your retailer immediately.

Do not place very hot or very cold items, such as saucepans or barbecues, directly on the glass surface. Extreme temperature differences over small areas can damage glass.

Do not sit or stand upon the glass surface.

Do not strike the glass with hard or pointed items, or use the glass as a chopping surface.

Do not drag rough or heavy objects over the top of the glass.

We recommend using place mats, coasters and table cloths to help protect against scratches and accidentally dropped items.

Clean the glass regularly to make sure there are no grit on the top.

Do not clean glass with washing powders or any other substances containing abrasives, since these substances can scratch glass.

For tables that can be used outdoors, if your table has a parasol, make sure the edge of the parasol cut-out has a protector in place. In addition always use a weighted parasol base, and remove the parasol in windy conditions. Parasols can put pressure on the table top or even blow the table over in windy weather.

For tables that can be used outdoors it is advised that the table is kept covered when not in use to protect the glass from the weather and accidental damage.

Blue Diamond Ltd, PO BOX 350, St. Peter Port, Guernsey, GY1 3XA

Website: www.bluediamond.gg

Email: info@bluediamond.gg

